

STAINLESS STEEL AISI 316L **

	Germany		
	France		
	Austria		
	Norway		
	Sweden		
	Netherlands		
	Switzerland		
	Denmark		
	Russia		
	Italy		
	Czech Rep.		
	Australia		
	Hungary		
	Poland		
	USA		

STAINLESS STEEL GAS AISI 316L

	Germany	
	Austria	

CARBON STEEL

	Germany	
	France	
	Sweden	
	Russia	
	Czech Rep.	
	Hungary	
	Poland	
	Australia	

CUPRONICKEL

	Italy	
--	-------	--

CEV INOX AISI 316, 1.4404



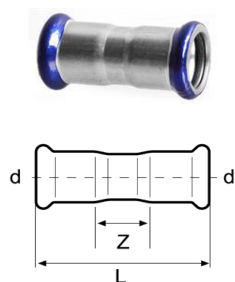
Part. No.	d	L	E	TEŽA kg/m	CENA BREZ DDV	PAK.
TUICR015C	15	6m		0,351	8,50 €	
TUICR018C	18	6m		0,426	10,41 €	
TUICR022C	22	6m		0,625	14,59 €	
TUICR028C	28	6m		0,805	16,16 €	
TUICR035C	35	6m		1,258	23,84 €	
TUICR042C	42	6m		1,521	29,28 €	
TUICR054C	54	6m		1,972	36,96 €	
TUICR076C	76,1	6m		3,711	76,89 €	
TUICR088C	88,9	6m		4,352	86,90 €	
TUICR108C	108	6m		5,308	106,70 €	

CEV INOX AISI 304



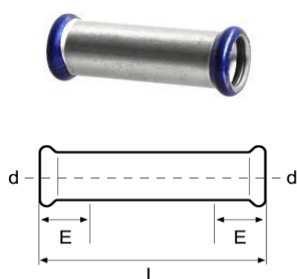
Part. No.	d	L	E	TEŽA kg/m	CENA BREZ DDV	PAK.
TUICR304-01:	15	6m		0,351	5,71 €	
TUICR304-01:	18	6m		0,426	6,84 €	
TUICR304-02:	22	6m		0,625	10,23 €	
TUICR304-02:	28	6m		0,805	12,73 €	
TUICR304-03:	35	6m		1,258	18,73 €	
TUICR304-04:	42	6m		1,521	23,18 €	
TUICR304-05:	54	6m		1,972	34,84 €	
TUICR304-07:	76,1	6m		3,711	62,06 €	
TUICR304-08:	88,9	6m		4,352	73,18 €	
TUICR304-10:	108	6m		5,308	88,78 €	

SPOJKA



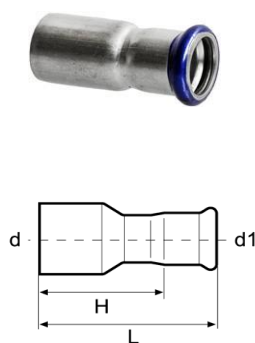
Part. No.	d	L	E	TEŽA/g	CENA BREZ DDV	PAK.
S10AB-LBP	12	42	6	24	5,97 €	100
S10AC-LBP	15	52	10	40	5,86 €	100
S10AD-LBP	18	52	10	46	6,23 €	100
S10AE-LBP	22	59	13	62	7,36 €	100
S10AF-LBP	28	61	13	78	8,35 €	100
S10AG-LBP	35	72	18	107	10,35 €	60
S10AH-LBP	42	88	15	148	13,97 €	30
S10AJ-LBP	54	98	16	210	16,85 €	30
S10AK	76,1	142	32	594	81,59 €	5
S10AL	88,9	163	37	792	95,31 €	5
S10AM	108	192	38	1.144	122,39 €	5

DRSNA SPOJKA



Part. No.	d	L	E	TEŽA/g	PAK.	
S11AB-LBP	12	56	20	33	7,94 €	100
S11AC-LBP	15	71	24	52	9,89 €	100
S11AD-LBP	18	77	25	63	10,30 €	50
S11AE-LBP	22	82	27	84	11,70 €	50
S11AF-LBP	28	90	28	110	13,59 €	50
S11AG-LBP	35	99	31	151	15,08 €	50
S11AH-LBP	42	126	35	209	17,68 €	30
S11AJ-LBP	54	144	40	322	22,73 €	20
S11AK	76,1	230	60	927	89,49 €	5
S11AL	88,9	258	70	1.208	140,91 €	5
S11AM	108	305	80	1.727	167,56 €	5

REDUCIR

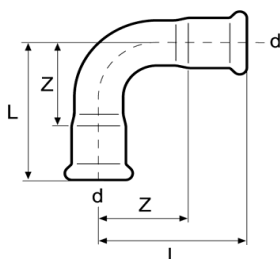


Part. No.	d - d1	L	H	TEŽA/g	PAK.	
S12CB-LBP	15-12	53	35	29	5,95 €	100
S12DB-LBP	18-12	61	43	37	8,29 €	100
S12DC-LBP	18-15	55	34	39	6,23 €	100
S12EB-LBP	22-12	63	45	37	8,79 €	100
S12EC-LBP	22-15	60	39	45	6,86 €	100
S12ED-LBP	22-18	57	36	46	6,86 €	100
S12FC-LBP	28-15	72	51	56	7,91 €	80
S12FD-LBP	28-18	77	56	61	7,91 €	80
S12FE-LBP	28-22	67	44	64	7,91 €	100
S12GC-LBP	35-15	82	61	84	13,70 €	30
S12GD-LBP	35-18	87	66	90	22,45 €	30
S12GE-LBP	35-22	83	60	88	12,22 €	80
S12GF-LBP	35-28	73	49	88	12,22 €	80
S12HC-LBP	42-15	91	70	114	25,77 €	20
S12HD-LBP	42-18	96	75	118	26,06 €	20
S12HE-LBP	42-22	87	64	116	22,30 €	30
S12HF-LBP	42-28	98	74	126	22,54 €	30
S12HG-LBP	42-35	79	52	114	15,85 €	30
S12JC-LBP	54-15	110	89	180	28,54 €	15
S12JD-LBP	54-18	113	92	188	28,77 €	15
S12JE-LBP	54-22	107	84	184	30,38 €	15
S12JF-LBP	54-28	99	75	185	30,27 €	20
S12JG-LBP	54-35	128	101	206	26,88 €	20
S12JH-LBP	54-42	97	65	179	22,12 €	20
S12KH-LBP	76,1-42	151	119	456	61,07 €	5
S12KJ-LBP	76,1-54	140	103	458	71,62 €	5
S12LJ-LBP	88,9-54	156	119	600	76,05 €	5
S12LK	88,9-76,1	156	101	682	83,35 €	5
S12MJ-LBP	108-54	204	167	876	64,24 €	5
S12MK	108-76,1	196	141	954	86,53 €	5
S12ML	108-88,9	190	127	995	95,92 €	5

LOK DVOJNI 90°



R = 1,5 d



R = 1,2 d

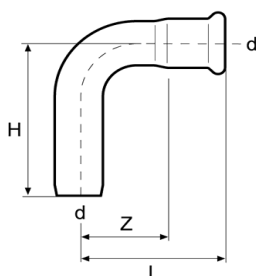
Part. No.	d	L	Z	TEŽA/g	PAK.
S20AC-LBP	15	48	27	56	8,61 € 100
S20AD-LBP	18	53	32	70	9,73 € 100
S20AE-LBP	22	60	37	100	11,72 € 100
S20AF-LBP	28	71	47	144	14,85 € 60
S20AG-LBP	35	87	60	206	19,71 € 60
S20AH-LBP	42	115	83	330	31,20 € 30
S20AJ-LBP	54	142	105	503	44,05 € 20

Part. No.	d	L	Z	TEŽA/g	PAK.
S20ZB-LBP	12	42	24	36	7,51 € 100
S20ZG-LBP	35	75	48	172	19,71 € 60
S20ZH-LBP	42	89	57	250	31,20 € 30
S20ZJ-LBP	54	107	70	398	44,05 € 20
S20ZK	76,1	150	95	966	122,39 € 5
S20ZL	88,9	174	111	1.312	146,98 € 5
S20ZM	108	215	138	1.948	201,37 € 5

LOK ENOJNI 90°



R = 1,5 d



R = 1,2 d

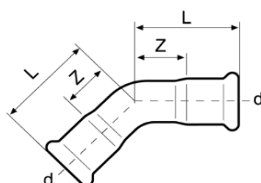
Part. No.	d	L	H	Z	TEŽA/g	PAK.
S21AC-LBP	15	48	56	27	60	8,61 € 100
S21AD-LBP	18	53	62	32	72	9,73 € 100
S21AE-LBP	22	60	68	37	100	11,72 € 100
S21AF-LBP	28	71	80	47	144	14,85 € 50
S21AG-LBP	35	87	93	60	206	19,71 € 50
S21AH-LBP	42	115	125	83	310	31,20 € 20
S21AJ-LBP	54	142	149	105	394	41,42 € 20

Part. No.	d	L	H	Z	TEŽA/g	PAK.
S21ZB-LBP	12	42	51	24	37	7,66 € 100
S21ZG-LBP	35	75	83	48	166	19,71 € 50
S21ZH-LBP	42	89	97	57	258	31,20 € 20
S21ZJ-LBP	54	107	116	70	376	41,42 € 20
S21ZK	76,1	150	165	95	996	122,39 € 5
S21ZL	88,9	174	190	111	1.316	146,98 € 5
S21ZM	108	215	238	138	1.932	201,37 € 5

LOK DVOJNI 45°



R = 1,5 d



R = 1,2 d

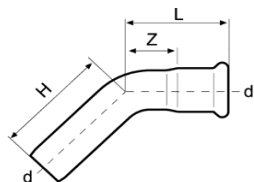
Part. No.	d	L	Z	TEŽA/g	PAK.
S22AC-LBP	15	37	16	51	8,61 € 100
S22AD-LBP	18	38	17	58	9,73 € 100
S22AE-LBP	22	44	21	80	11,72 € 100
S22AF-LBP	28	51	27	118	14,85 € 50
S22AG-LBP	35	59	32	165	19,71 € 50
S22AH-LBP	42	77	45	258	31,20 € 20
S22AJ-LBP	54	88	51	374	41,42 € 20

Part. No.	d	L	Z	TEŽA/g	PAK.
S22ZB-LBP	12	32	14	34	10,21 € 100
S22ZG-LBP	35	49	22	162	19,71 € 50
S22ZH-LBP	42	63	31	216	31,20 € 20
S22ZJ-LBP	54	75	38	304	41,42 € 20
S22ZK	76,1	98	43	773	122,39 € 5
S22ZL	88,9	112	49	1.008	146,98 € 5
S22ZM	108	138	61	1.524	201,37 € 5

LOK ENOJNI 45°



R = 1,5 d

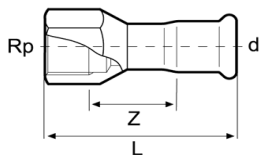


R = 1,2 d

Part. No.	d	L	H	Z	TEŽA/g	PAK.
S23AC-LBP	15	37	48	16	60	8,61 € 100
S23AD-LBP	18	38	45	17	60	9,73 € 100
S23AE-LBP	22	44	53	21	80	11,72 € 100
S23AF-LBP	28	51	60	27	115	14,85 € 50
S23AG-LBP	35	59	66	32	166	19,71 € 50
S23AH-LBP	42	77	80	45	258	31,20 € 20
S23AJ-LBP	54	88	97	51	370	41,42 € 20

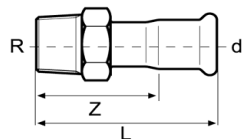
Part. No.	d	L	H	Z	TEŽA/g	PAK.
S23ZB-LBP	12	32	41	14	33	10,27 € 100
S23ZG-LBP	35	49	51	22	128	19,71 € 50
S23ZH-LBP	42	63	72	31	310	31,20 € 20
S23ZJ-LBP	54	75	83	38	308	41,42 € 20
S23ZK	76,1	98	117	43	758	122,39 € 5
S23ZL	88,9	112	131	49	996	146,98 € 5
S23ZM	108	138	154	61	1.468	201,37 € 5

PREHODNI KOS NOTRANJI NAVOJ



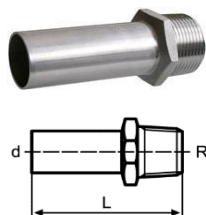
Part. No.	d - Rp	L	Z	TEŽA/g	PAK.
S80NB-LBP	12-Rp ^{3/8}	56	28	57	11,22 € 100
S80PB-LBP	12-Rp ^{1/2}	52	16	49	11,35 € 100
S80PC-LBP	15-Rp ^{1/2}	53	20	53	11,10 € 100
S80QC-LBP	15-Rp ^{3/4}	67	33	79	11,36 € 60
S80PD-LBP	18-Rp ^{1/2}	51	18	53	12,22 € 100
S80QD-LBP	18-Rp ^{3/4}	57	23	78	12,22 € 100
S80PE-LBP	22-Rp ^{1/2}	52	17	78	13,35 € 100
S80QE-LBP	22-Rp ^{3/4}	56	20	79	13,35 € 100
S80RE-LBP	22-Rp1	70	31	108	14,04 € 80
S80QF-LBP	28-Rp ^{3/4}	73	36	105	17,82 € 80
S80RF-LBP	28-Rp1	62	22	105	19,16 € 80
S80SF-LBP	28-Rp1 ^{1/4}	80	39	188	21,24 € 50
S80RG-LBP	35-Rp1	81	38	134	23,54 € 50
S80SG-LBP	35-Rp1 ^{1/4}	72	28	174	23,54 € 50
S80TG-LBP	35-Rp1 ^{1/2}	83	39	264	23,87 € 50
S80SH-LBP	42-Rp1 ^{1/4}	94	45	220	34,73 € 20
S80TH-LBP	42-Rp1 ^{1/2}	74	25	274	34,73 € 30
S80TJ-LBP	54-Rp1 ^{1/2}	106	52	396	51,57 € 20
S80VJ-LBP	54-Rp2	84	25	352	51,54 € 20

PREHODNI KOS ZUNANJI NAVOJ



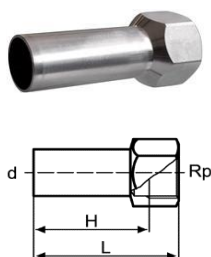
Part. No.	d - R	L	Z	TEŽA/g	PAK.
S81NB-LBP	12-R ^{3/8}	56	38	49	10,86 € 100
S81PB-LBP	12-R ^{1/2}	52	34	56	10,95 € 100
S81NC-LBP	15-R ^{3/8}	50	29	47	8,65 € 100
S81PC-LBP	15-R ^{1/2}	52	31	53	11,10 € 100
S81QC-LBP	15-R ^{3/4}	64	43	70	11,10 € 50
S81PD-LBP	18-R ^{1/2}	52	31	57	12,22 € 100
S81QD-LBP	18-R ^{3/4}	54	33	67	12,22 € 50
S81PE-LBP	22-R ^{1/2}	68	45	73	13,35 € 100
S81QE-LBP	22-R ^{3/4}	58	35	75	13,35 € 100
S81RE-LBP	22-R1	72	49	120	13,48 € 100
S81QF-LBP	28-R ^{3/4}	73	49	102	17,83 € 80
S81RF-LBP	28-R1	62	38	118	16,52 € 100
S81SF-LBP	28-R1 ^{1/4}	79	55	172	19,22 € 50
S81RG-LBP	35-R1	82	55	150	23,53 € 50
S81SG-LBP	35-R1 ^{1/4}	70	43	170	23,54 € 50
S81TG-LBP	35-R1 ^{1/2}	84	57	204	23,56 € 30
S81SH-LBP	42-R1 ^{1/4}	93	61	216	34,72 € 20
S81TH-LBP	42-R1 ^{1/2}	75	43	204	34,75 € 20
S81TJ-LBP	54-R1 ^{1/2}	105	68	284	50,40 € 20
S81VJ-LBP	54-R2	87	50	372	50,40 € 20
S81XK	76,1-R 2 ^{1/2}	125	70	804	229,16 € 5
S81YL	88,9-R 3	138	75	1.172	342,97 € 5

**PREHODNI KOS Z VTIČNIM KONCEM
ZUNANJI NAVOJ**



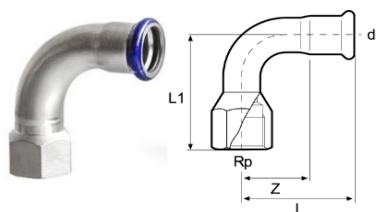
Part. No.	d - R	L	TEŽA/g	PAK.
S87PC	15-R $\frac{1}{2}$	70	48	8,14 € 100
S87PD	18-R $\frac{1}{2}$	70	48	8,94 € 100
S87QE	22-R $\frac{3}{4}$	75	76	10,15 € 100
S87RF	28-R1	75	110	12,95 € 80
S87SG	35-R1 $\frac{1}{4}$	80	173	19,36 € 80
S87TH	42-R1 $\frac{1}{2}$	91	212	28,44 € 50
S87VJ	54-R2	102	388	38,32 € 50

**PREHODNI KOS Z VTIČNIM KONCEM
NOTRANJI NAVOJ**



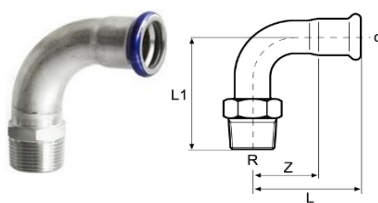
Part. No.	d - Rp	H	L	TEŽA/g	PAK.
S86PC	15-Rp $\frac{1}{2}$	136	148	72	8,68 € 100
S86PD	18-Rp $\frac{1}{2}$	136	148	82	9,21 € 100
S86QD	18-Rp $\frac{3}{4}$	135	148	106	11,35 € 100
S86PE	22-Rp $\frac{1}{2}$	140	152	132	10,55 € 100
S86QE	22-Rp $\frac{3}{4}$	139	152	120	11,75 € 100
S86RF	28-Rp1	94	110	126	18,56 € 80
S86SG	35-Rp1 $\frac{1}{4}$	93	110	220	20,29 € 80
S86TH	42-Rp1 $\frac{1}{2}$	93	110	294	31,64 € 50
S86VJ	54-Rp2	98	120	402	47,53 € 50

LOK 90° Z NOTRANJIM NAVOJEM



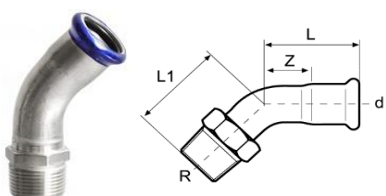
Part. No.	d - Rp	L	L1	Z	TEŽA/g	PAK.
S82PC-LBP	15-Rp $\frac{1}{2}$	48	58	27	76	14,95 € 20
S82PD-LBP	18-Rp $\frac{1}{2}$	53	59	32	86	17,22 € 20
S82QE-LBP	22-Rp $\frac{3}{4}$	60	68	37	124	17,98 € 20
S82RF-LBP	28-Rp1	71	81	47	176	23,64 € 20
S82SG-LBP	35-Rp1 $\frac{1}{4}$	87	95	60	284	31,69 € 15

LOK 90° Z ZUNANJIM NAVOJEM



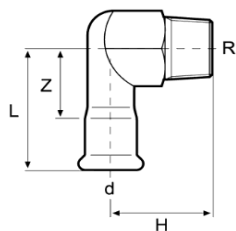
Part. No.	d - R	L	L1	Z	TEŽA/g	PAK.
S83PC-LBP	15-R $\frac{1}{2}$	48	58	27	78	15,22 € 20
S83PD-LBP	18-R $\frac{1}{2}$	53	61	32	86	15,82 € 20
S83QE-LBP	22-R $\frac{3}{4}$	60	69	37	124	19,76 € 20
S83RF-LBP	28-R1	71	81	47	188	23,34 € 20
S83SG-LBP	35-R1 $\frac{1}{4}$	87	94	60	276	29,73 € 15
S83TH-LBP	42-R1 $\frac{1}{2}$	115	116	83	390	46,17 € 15
S83VJ-LBP	54-R2	142	143	105	680	60,22 € 15

LOK 45° Z ZUNANJIM NAVOJEM



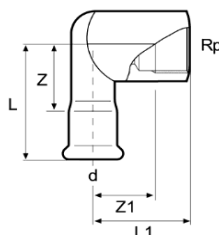
Part. No.	d - R	L	L1	Z	TEŽA/g	PAK.
S85PC-LBP	15-R $\frac{1}{2}$	37	38	16	65	15,90 € 20
S85PD-LBP	18-R $\frac{1}{2}$	38	46	17	71	16,49 € 20
S85QE-LBP	22-R $\frac{3}{4}$	44	51	21	100	20,47 € 20

KOLENO KOTNO 90° Z ZUNANJIM NAVOJEM



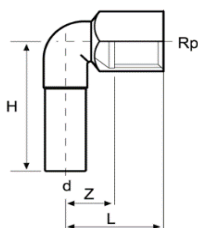
Part. No.	d - R	L	H	Z	TEŽA/g	PAK.
S31PC-LBP	15-R $\frac{1}{2}$	53	36	32	90	15,91 € 80
S31QC-LBP	15-R $\frac{3}{4}$	62	38	41	140	18,04 € 50
S31PD-LBP	18-R $\frac{1}{2}$	51	36	30	103	16,99 € 50
S31QD-LBP	18-R $\frac{3}{4}$	67	37	46	148	14,94 € 30
S31QE-LBP	22-R $\frac{3}{4}$	58	40	35	145	21,87 € 50
S31RF-LBP	28-R1	63	44	39	248	27,93 € 50
S31SG-LBP	35-R1 $\frac{1}{4}$	71	48	44	354	39,55 € 30
S31TH-LBP	42-R1 $\frac{1}{2}$	81	53	49	432	69,70 € 15
S31VJ-LBP	54-R2	92	59	55	720	67,63 € 15

KOLENO KOTNO 90° Z NOTRANJIM NAVOJEM



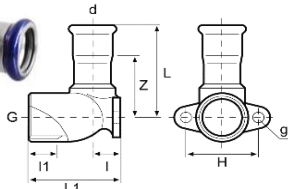
Part. No.	d - Rp	L	L1	Z	Z1	TEŽA/g	PAK.
S30PC-LBP	15-Rp $\frac{1}{2}$	53	36	32	24	119	15,83 € 80
S30PD-LBP	18-Rp $\frac{1}{2}$	52	39	31	27	122	16,93 € 60
S30QE-LBP	22-Rp $\frac{3}{4}$	57	46	34	33	184	21,87 € 50
S30RF-LBP	28-Rp1	71	54	47	38	340	27,93 € 50
S30SG-LBP	35-Rp1 $\frac{1}{4}$	72	62	45	45	492	35,12 € 30

KOLENO Z VTIČNIM KONCEM 90° Z NOTRANJIM NAVOJEM



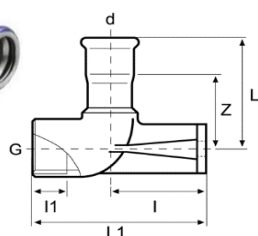
Part. No.	d - Rp	L	H	Z	TEŽA/g	PAK.
S34PC	15-Rp $\frac{1}{2}$	35	53	23	72	19,63 € 50

ZIDNO KOLENO 90°



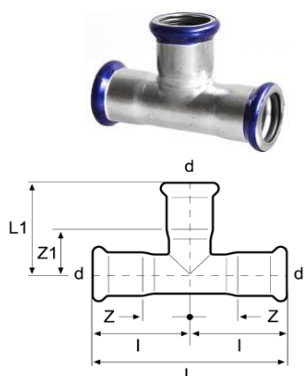
Part. No.	d - G (ISO 228)	L	L1	Z	I	I1	H	g	TAŽA/g	PAK.
S32PC-LBP	15-G $\frac{1}{2}$	46	43	25	12	12	34	5	102	16,85 € 80
S32PD-LBP	18-G $\frac{1}{2}$	47	44	26	13	12	34	6	99	18,10 € 60
S32QE-LBP	22-G $\frac{3}{4}$	52	51	29	16	13	40	6	153	26,08 € 60

ZIDNO KOLENO PODALJŠANO 90°



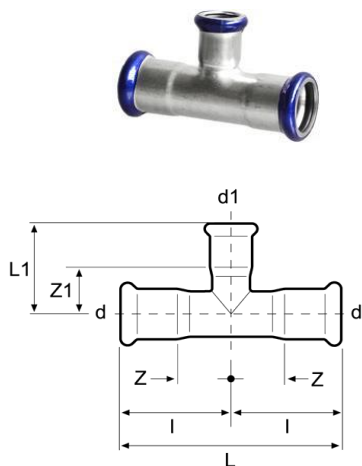
Part. No.	d - G (ISO 228)	L	I	L1	Z	I1	TEŽA/g	PAK.
S33PC-LBP	15-G $\frac{1}{2}$	46	36	65	25	12	156	19,33 € 50
S33PD-LBP	18-G $\frac{1}{2}$	47	36	65	26	12	146	20,71 € 50
S33QE-LBP	22-G $\frac{3}{4}$	52	32	65	29	13	178	27,07 € 50

T KOS ENAKOKRAKI



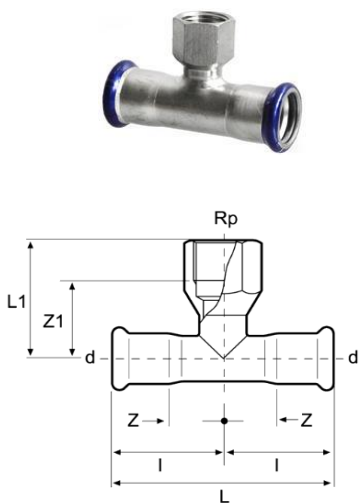
Part No.	d	L	L1	Z	Z1	I	TEŽA/g	PAK.	
S40AB-LBP	12	56	33	10	15	28	45	13,30 €	100
S40AC-LBP	15	74	35	16	14	37	71	13,71 €	100
S40AD-LBP	18	80	35	19	14	40	84	14,10 €	100
S40AE-LBP	22	82	40	18	17	41	110	14,97 €	100
S40AF-LBP	28	92	45	22	21	46	146	18,10 €	80
S40AG-LBP	35	102	55	24	28	51	193	22,58 €	50
S40AH-LBP	42	118	61	27	29	59	278	32,69 €	20
S40AJ-LBP	54	142	72	34	35	71	406	37,94 €	20
S40AK	76,1	232	115	61	60	116	1.170	193,38 €	5
S40AL	88,9	262	127	68	64	131	1.556	201,35 €	5
S40AM	108	312	155	79	78	156	2.276	251,76 €	5

T KOS REDUCIRAN



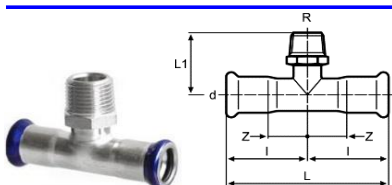
Part No.	d - d1 - d	L	L1	Z	Z1	I	TEŽA/g	PAK.	
S41BC-LBP	15-12-15	74	34	16	16	37	66	14,89 €	100
S41BD-LBP	18-12-18	80	36	19	18	40	75	15,37 €	100
S41CD-LBP	18-15-18	80	36	19	15	40	84	14,10 €	100
S41BE-LBP	22-12-22	82	38	18	20	41	94	15,87 €	100
S41CE-LBP	22-15-22	82	39	18	18	41	100	14,97 €	100
S41DE-LBP	22-18-22	82	38	18	17	41	104	14,97 €	100
S41CF-LBP	28-15-28	92	42	22	21	46	132	18,10 €	80
S41DF-LBP	28-18-28	92	42	22	21	46	134	18,10 €	80
S41EF-LBP	28-22-28	92	45	22	22	46	140	18,10 €	80
S41CG-LBP	35-15-35	102	45	24	24	51	160	22,58 €	50
S41DG-LBP	35-18-35	102	45	24	24	51	164	22,58 €	50
S41EG-LBP	35-22-35	102	46	24	23	51	173	22,58 €	50
S41FG-LBP	35-28-35	102	48	24	24	51	176	22,58 €	50
S41CH-LBP	42-15-42	118	48	27	27	59	226	22,56 €	20
S41DH-LBP	42-18-42	118	48	27	27	59	228	23,50 €	20
S41EH-LBP	42-22-42	118	51	27	28	59	232	32,69 €	30
S41FH-LBP	42-28-42	118	53	27	29	59	241	32,69 €	30
S41GH-LBP	42-35-42	118	60	27	33	59	250	32,69 €	30
S41CJ-LBP	54-15-54	142	56	34	35	71	322	27,66 €	15
S41DJ-LBP	54-18-54	142	55	34	34	71	336	28,04 €	15
S41EJ-LBP	54-22-54	142	57	34	34	71	334	37,94 €	20
S41FJ-LBP	54-28-54	142	60	34	36	71	348	37,94 €	15
S41GJ-LBP	54-35-54	142	66	34	39	71	356	37,94 €	15
S41HJ-LBP	54-42-54	142	64	34	32	71	378	37,94 €	15
S41EK-LBP	76,1-22-76,1	232	68	61	45	116	936	196,00 €	5
S41FK-LBP	76,1-28-76,1	232	71	61	47	116	948	196,00 €	5
S41GK-LBP	76,1-35-76,1	232	75	61	48	116	962	196,00 €	5
S41HK-LBP	76,1-42-76,1	232	79	61	47	116	987	196,00 €	5
S41JK-LBP	76,1-54-76,1	232	80	61	43	116	996	196,00 €	5
S41EL-LBP	88,9-22-88,9	262	76	68	53	131	1.238	204,24 €	5
S41FL-LBP	88,9-28-88,9	262	76	68	52	131	1.182	204,24 €	5
S41GL-LBP	88,9-35-88,9	262	83	68	56	131	1.250	204,24 €	5
S41HL-LBP	88,9-42-88,9	262	85	68	53	131	1.266	204,24 €	5
S41JL-LBP	88,9-54-88,9	262	93	68	56	131	1.290	204,24 €	5
S41KL	88,9-76,1-88,9	262	116	68	61	131	1.144	204,24 €	5
S41EM-LBP	108-22-108	312	85	79	62	156	1.792	251,76 €	5
S41FM-LBP	108-28-108	312	88	79	64	156	1.798	251,76 €	5
S41GM-LBP	108-35-108	312	94	79	67	156	1.822	251,76 €	5
S41HM-LBP	108-42-108	312	96	79	64	156	1.820	251,76 €	5
S41JM-LBP	108-54-108	312	102	79	65	156	1.852	251,76 €	5
S41KM	108-76,1-108	312	125	79	70	156	2.014	251,76 €	5
S41LM	108-88,9-108	312	135	79	72	156	2.126	251,76 €	5

T KOS S PREHODOM NOTRANJI NAVOJ



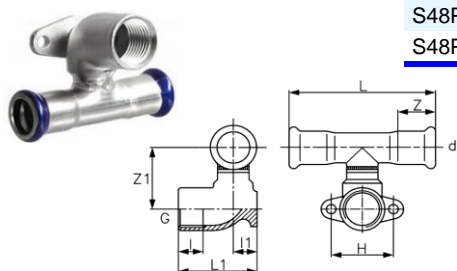
Part. No.	d - Rp	L	L1	Z	Z1	I	TEŽA/g	PAK.	
S42NB-LBP	12-Rp $\frac{1}{2}$ -12	56	34	10	19	28	77	16,18 €	100
S42PC-LBP	15-Rp $\frac{1}{2}$ -15	74	37	16	25	37	84	14,97 €	100
S42PD-LBP	18-Rp $\frac{1}{2}$ -18	80	39	19	27	40	99	14,97 €	80
S42QD-LBP	18-Rp $\frac{3}{4}$ -18	80	43	19	30	40	118	14,97 €	50
S42PE-LBP	22-Rp $\frac{1}{2}$ -22	82	41	18	29	41	118	16,46 €	100
S42QE-LBP	22-Rp $\frac{3}{4}$ -22	82	41	18	28	41	130	16,46 €	80
S42PF-LBP	28-Rp $\frac{1}{2}$ -28	92	44	22	32	46	146	18,33 €	80
S42QF-LBP	28-Rp $\frac{3}{4}$ -28	92	45	22	32	46	160	18,33 €	50
S42RF-LBP	28-Rp1-28	92	48	22	32	46	174	22,45 €	30
S42PG-LBP	35-Rp $\frac{1}{2}$ -35	102	48	24	36	51	176	22,33 €	50
S42QG-LBP	35-Rp $\frac{3}{4}$ -35	102	48	24	35	51	194	22,33 €	50
S42SG-LBP	35-Rp1 $\frac{1}{4}$ -35	102	57	24	40	51	272	26,43 €	20
S42PH-LBP	42-Rp $\frac{1}{2}$ -42	118	46	27	34	59	249	27,20 €	20
S42QH-LBP	42-Rp $\frac{3}{4}$ -42	118	52	27	39	59	255	28,70 €	20
S42TH-LBP	42-Rp1 $\frac{1}{2}$ -42	118	59	27	42	59	384	30,04 €	20
S42PJ-LBP	54-Rp $\frac{1}{2}$ -54	142	55	34	43	71	350	32,58 €	15
S42QJ-LBP	54-Rp $\frac{3}{4}$ -54	142	58	34	45	71	360	32,58 €	15
S42VJ-LBP	54-Rp2-54	142	69	34	47	71	548	50,84 €	15
S42QK	76,1-Rp $\frac{3}{4}$ -76,1	232	68	61	55	116	1.258	190,38 €	5
S42VK	76,1-Rp2-76,1	232	81	61	59	116	1.144	199,61 €	5
S42QL	88,9-Rp $\frac{3}{4}$ -88,9	262	87	68	74	131	1.254	194,04 €	5
S42VL	88,9-Rp2-88,9	262	88	68	66	131	1.438	245,40 €	5
S42QM	108-Rp $\frac{3}{4}$ -108	312	86	79	73	156	1.812	211,14 €	5
S42VM	108-Rp2-108	312	98	79	76	156	1.992	253,98 €	5

T KOS S PREHODOM ZUNANJI NAVOJ



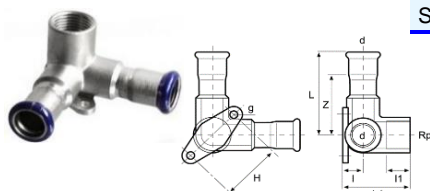
Part. No.	d - R	L	L1	Z	Z1	I	TEŽA/g	PAK.	
S43PC-LBP	15-R $\frac{1}{2}$ -15	74	38	16	15	37	86	13,48 €	100
S43PD-LBP	18-R $\frac{1}{2}$ -18	80	40	19	15	40	94	14,02 €	100
S43QE-LBP	22-R $\frac{3}{4}$ -22	82	43	18	17	41	126	15,89 €	100
S43RF-LBP	28-R1-28	92	50	22	21	46	188	20,76 €	80
S43SG-LBP	35-R1 $\frac{1}{4}$ -35	102	56	24	28	51	258	26,43 €	50

T KOS Z ZIDNIM KOLENOM



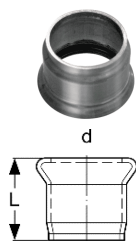
Part. No.	d - G (ISO 228)	L	L1	Z	Z1	H	I	I1	TEŽA/g	PAK.	
S48PC-LBP	15-G $\frac{1}{2}$	74	43	21	31	34	12	13	135	22,03 €	100
S48PD-LBP	18-G $\frac{1}{2}$	80	43	21	33	34	12	13	140	22,56 €	100

ZIDNO KOLENO Z DVEMA PRIKLUČKOMA 90°/90°



Part. No.	d - Rp	L	L1	I	I1	Z	H	g	TEŽA/g	PAK.	
S36PC-LBP	15-Rp $\frac{1}{2}$	56	44	15	12	35	39	5	166	27,90 €	50

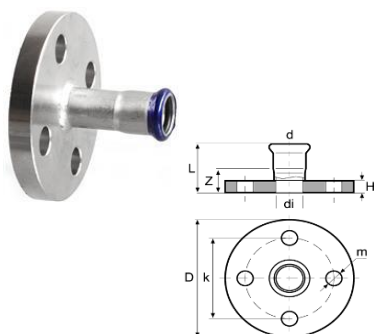
VARNOSTNI SPOJ



Correct conditions of use have to be requested from our technical department

Part. No.	d	L	TEŽA/g	PAK.
S17AC-LBP	15	25	18	3,34 € 200
S17AD-LBP	18	25	22	3,54 € 200
S17AE-LBP	22	27	30	4,27 € 200
S17AF-LBP	28	30	39	5,14 € 150
S17AG-LBP	35	34	52	5,94 € 150
S17AH-LBP	42	38	72	7,74 € 100
S17AJ-LBP	54	44	102	9,75 € 100
S17AK	76	68	279	39,38 € 50
S17AL	89	78	392	46,06 € 50
S17AM	108	94	550	58,74 € 50

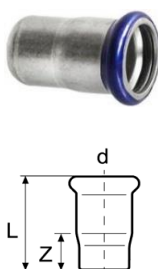
PRIROBNICA S PRIKLJUČKOM



Part. No.	d	D	di	L	H	m	k	Z	TEŽA/g	PAK.
S52AC-LBP	15	95	14	59	11	14	65	33	572	41,39 € 20
S52AD-LBP	18	95	17	57	11	14	65	39	616	42,72 € 20
S52AE-LBP	22	105	21	59	12	14	75	39	792	57,41 € 20
S52AF-LBP	28	115	27	65	14	14	85	47	1.122	68,09 € 20
S52AG-LBP	35	140	32	70	15	18	100	52	1.770	103,47 € 20
S52AH-LBP	42	150	39	77	16	18	110	59	2.090	121,49 € 15
S52AJ-LBP	54	165	51	86	18	18	125	51	2.838	154,87 € 15
S52AK	76,1	185	72	126	18	18	145	71	3.637	227,86 € 5
S52AL	88,9	200	85	147	20	18	160	84	4.405	266,43 € 5
S52AM	108	220	104	167	20	18	180	90	5.360	319,24 € 5

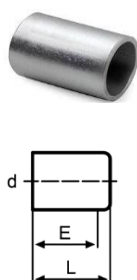
Diameters 88,9 and 108 (PN 10/16) are with 8 holes

ČEP



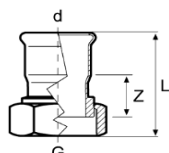
Part. No.	d	L	Z	TEŽA/g	PAK.
S50AC-LBP	15	37	16	28	6,34 € 100
S50AD-LBP	18	40	19	34	6,64 € 50
S50AE-LBP	22	41	18	45	7,22 € 50
S50AF-LBP	28	46	22	62	10,03 € 50
S50AG-LBP	35	51	24	78	11,45 € 50
S50AH-LBP	42	59	27	116	16,28 € 20
S50AJ-LBP	54	72	35	176	18,75 € 20
S50AK	76,1	95	40	412	41,39 € 5
S50AL	88,9	107	44	544	54,74 € 5
S50AM	108	127	50	813	68,09 € 5

PRIKLJUČEK



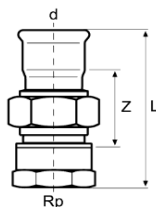
Part. No.	d	E	L	TEŽA/g	PAK.
S51AC	15	33	42	16	5,61 € 100
S51AD	18	33	40	18	5,74 € 50
S51AE	22	34	43	30	6,41 € 50
S51AF	28	36	47	42	8,41 € 50
S51AG	35	40	49	70	9,48 € 50
S51AH	42	44	55	96	14,02 € 20
S51AJ	54	49	62	144	15,89 € 20
S51AK	76,1	65	75	328	26,57 € 5
S51AL	88,9	72	90	480	33,11 € 5
S51AM	108	87	103	648	41,12 € 5

**PRIVIJALO Z MESING ALI INOX
MATICO
RAVNO TESNENJE**



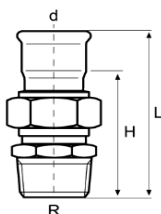
Part. No.	G - d (ISO 228)	nut	L	Z	TEŽA/g	PAK.	
S60QC-LBP	G $\frac{3}{4}$ -15	BRASS	50	22	90	12,42 €	50
S60SC-LBP	G1 $\frac{1}{4}$ -15	BRASS	52	20	190	25,23 €	15
S60QD-LBP	G $\frac{3}{4}$ -18	BRASS	36	8	74	12,42 €	50
S60RE-LBP	G1-22	BRASS	39	7	94	18,90 €	50
S60SF-LBP	G1 $\frac{1}{4}$ -28	BRASS	44	10	168	21,90 €	50
S60TF-LBP	G1 $\frac{1}{2}$ -28	BRASS	73	38	170	24,31 €	50
S60TG-LBP	G1 $\frac{1}{2}$ -35	BRASS	48	11	260	24,94 €	20
S60UH-LBP	G1 $\frac{3}{4}$ -42	BRASS	53	9	292	33,19 €	20
S60WJ-LBP	G2 $\frac{3}{8}$ -54	BRASS	61	10	454	44,36 €	20
S61QC-LBP	G $\frac{3}{4}$ -15	ST. STEEL	51	22	90	24,18 €	50
S61SC-LBP	G1 $\frac{1}{4}$ -15	ST. STEEL	52	20	90	48,74 €	15
S61QD-LBP	G $\frac{3}{4}$ -18	ST. STEEL	38	8	70	25,54 €	50
S61RE-LBP	G1-22	ST. STEEL	39	7	94	31,24 €	50
S61SF-LBP	G1 $\frac{1}{4}$ -28	ST. STEEL	44	10	152	50,00 €	50
S61TF-LBP	G1 $\frac{1}{2}$ -28	ST. STEEL	73	38	154	51,01 €	50
S61TG-LBP	G1 $\frac{1}{2}$ -35	ST. STEEL	48	11	250	54,91 €	20
S61UH-LBP	G1 $\frac{3}{4}$ -42	ST. STEEL	53	9	258	66,25 €	20
S61WJ-LBP	G2 $\frac{3}{8}$ -54	ST. STEEL	61	10	404	85,39 €	20

**PRIVIJALO Z MESING ALI INOX
MATICO
RAVNO TESNENJE N/N**



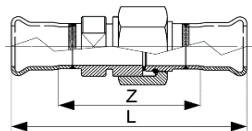
Part. No.	d - R	nut	L	Z	TEŽA/g	PAK.	
S62PC-LBP	15-Rp $\frac{1}{2}$	BRASS	73	41	140	25,78 €	15
S62QC-LBP	15-Rp $\frac{3}{4}$	BRASS	76	43	180	25,78 €	15
S62PD-LBP	18-Rp $\frac{1}{2}$	BRASS	59	27	120	29,15 €	15
S62QD-LBP	18-Rp $\frac{3}{4}$	BRASS	62	29	160	29,15 €	15
S62QE-LBP	22-Rp $\frac{3}{4}$	BRASS	63	28	184	33,96 €	15
S62RE-LBP	22-Rp1	BRASS	67	30	214	30,43 €	15
S62RF-LBP	28-Rp1	BRASS	71	33	376	43,23 €	15
S62SG-LBP	35-Rp1 $\frac{1}{4}$	BRASS	77	34	470	56,89 €	15
S62TH-LBP	42-Rp1 $\frac{1}{2}$	BRASS	82	33	516	56,89 €	15
S62VJ-LBP	54-Rp2	BRASS	95	37	948	131,95 €	15
S63PC-LBP	15-Rp $\frac{1}{2}$	ST. STEEL	73	41	142	30,23 €	15
S63QC-LBP	15-Rp $\frac{3}{4}$	ST. STEEL	76	43	182	30,35 €	15
S63PD-LBP	18-Rp $\frac{1}{2}$	ST. STEEL	59	27	126	34,89 €	15
S63QD-LBP	18-Rp $\frac{3}{4}$	ST. STEEL	62	29	162	32,38 €	15
S63QE-LBP	22-Rp $\frac{3}{4}$	ST. STEEL	63	28	186	35,90 €	15
S63RE-LBP	22-Rp1	ST. STEEL	67	30	216	42,07 €	15
S63RF-LBP	28-Rp1	ST. STEEL	71	33	356	58,19 €	15
S63SG-LBP	35-Rp1 $\frac{1}{4}$	ST. STEEL	77	34	462	70,78 €	15
S63TH-LBP	42-Rp1 $\frac{1}{2}$	ST. STEEL	82	33	484	84,01 €	15
S63VJ-LBP	54-Rp2	ST. STEEL	95	37	898	135,40 €	15

**PRIVIJALO Z MESING ALI INOX
MATICO
RAVNO TESNENJE Z/N**



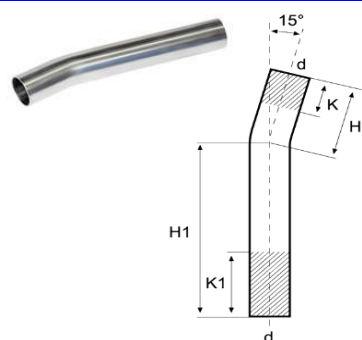
Part. No.	G - d (ISO 228)	nut	L	Z	TEŽA/g	PAK.	
S64PC-LBP	15-R $\frac{1}{2}$	BRASS	77	56	150	19,27 €	15
S64QC-LBP	15-R $\frac{3}{4}$	BRASS	80	59	168	19,24 €	15
S64PD-LBP	18-R $\frac{1}{2}$	BRASS	63	42	129	22,12 €	15
S64QD-LBP	18-R $\frac{3}{4}$	BRASS	66	45	149	22,12 €	15
S64PE-LBP	22-R $\frac{1}{2}$	BRASS	67	44	225	23,48 €	15
S64QE-LBP	22-R $\frac{3}{4}$	BRASS	69	46	195	22,99 €	15
S64RE-LBP	22-R1	BRASS	73	50	237	22,99 €	15
S64RF-LBP	28-R1	BRASS	78	54	366	34,14 €	15
S64SG-LBP	35-R1 $\frac{1}{4}$	BRASS	85	59	495	43,52 €	15
S64TH-LBP	42-R1 $\frac{1}{2}$	BRASS	90	58	578	61,35 €	15
S64VJ-LBP	54-R2	BRASS	104	67	988	100,41 €	15
S65PC-LBP	15-R $\frac{1}{2}$	ST. STEEL	77	56	148	30,86 €	15
S65QC-LBP	15-R $\frac{3}{4}$	ST. STEEL	80	59	168	30,98 €	15
S65PD-LBP	18-R $\frac{1}{2}$	ST. STEEL	63	42	128	35,01 €	15
S65QD-LBP	18-R $\frac{3}{4}$	ST. STEEL	66	45	148	32,49 €	15
S65PE-LBP	22-R $\frac{1}{2}$	ST. STEEL	67	44	218	39,67 €	15
S65QE-LBP	22-R $\frac{3}{4}$	ST. STEEL	69	46	194	36,02 €	15
S65RE-LBP	22-R1	ST. STEEL	73	50	232	43,45 €	15
S65RF-LBP	28-R1	ST. STEEL	78	54	350	59,95 €	15
S65SG-LBP	35-R1 $\frac{1}{4}$	ST. STEEL	85	59	482	72,42 €	15
S65TH-LBP	42-R1 $\frac{1}{2}$	ST. STEEL	90	58	588	86,15 €	15
S65VJ-LBP	54-R2	ST. STEEL	104	67	936	138,54 €	15

**PRIVIJALO Z MESING ALI INOX
MATICO
RAVNO TESNENJE Z DVEMA
PRIKLJUČKOMA**



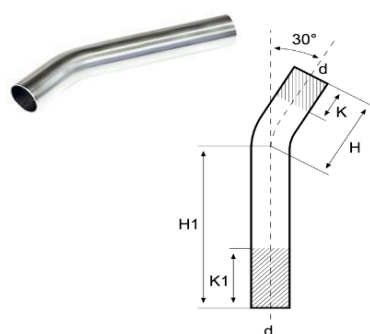
Part. No.	d - R	nut	L	Z	TEŽA/g	PAK.	
S66QC-LBP	G $\frac{3}{4}$ -15	BRASS	100	58	174	25,37 €	15
S66QD-LBP	G $\frac{3}{4}$ -18	BRASS	86	44	152	30,71 €	15
S66RE-LBP	G1-22	BRASS	94	48	212	34,71 €	15
S66SF-LBP	G1 $\frac{1}{4}$ -28	BRASS	101	53	358	51,40 €	15
S66TG-LBP	G1 $\frac{1}{2}$ -35	BRASS	109	56	532	56,07 €	15
S66UH-LBP	G1 $\frac{3}{4}$ -42	BRASS	119	55	606	72,09 €	15
S66WJ-LBP	G2 $\frac{3}{8}$ -54	BRASS	130	56	948	113,48 €	15
S68QC-LBP	G $\frac{3}{4}$ -15	ST. STEEL	100	58	172	44,27 €	15
S68QD-LBP	G $\frac{3}{4}$ -18	ST. STEEL	86	44	146	43,20 €	15
S68RE-LBP	G1-22	ST. STEEL	94	48	214	47,36 €	15
S68SF-LBP	G1 $\frac{1}{4}$ -28	ST. STEEL	101	53	340	63,58 €	15
S68TG-LBP	G1 $\frac{1}{2}$ -35	ST. STEEL	109	56	524	94,21 €	15
S68UH-LBP	G1 $\frac{3}{4}$ -42	ST. STEEL	119	55	574	119,02 €	15
S68WJ-LBP	G2 $\frac{3}{8}$ -54	ST. STEEL	130	56	898	156,81 €	15

IZOGIBNI LOK 15°



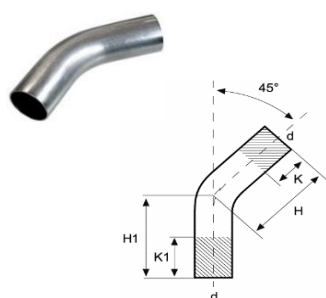
Part. No.	d	H1	H	K	K1	TEŽA/g	PAK.	
S75AC	15	122	60	21	83	60	10,28 €	30
S75AD	18	128	55	15	88	74	10,41 €	30
S75AE	22	124	50	7	81	134	11,21 €	30
S75AF	28	136	45	7	47	178	12,28 €	20
S75AG	35	234	62	30	110	378	18,96 €	15
S75AH	42	276	94	44	144	542	28,30 €	10
S75AJ	54	337	117	65	165	884	36,18 €	10
S75AK	76,1	230	226	65	65	1.580	90,12 €	5
S75AL	88,9	260	240	80	80	1.954	104,40 €	5
S75AM	108	291	222	95	95	2.516	131,10 €	5

IZOGIBNI LOK 30°



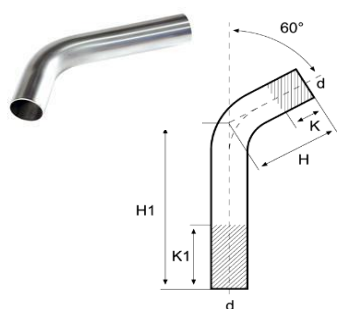
Part. No.	d	H1	H	K	K1	TEŽA/g	PAK.	
S74AC	15	122	60	21	83	57	10,81 €	30
S74AD	18	128	55	16	89	74	10,95 €	30
S74AE	22	124	50	6	80	134	11,75 €	30
S74AF	28	130	54	7	47	258	13,88 €	20
S74AG	35	218	80	30	110	376	20,83 €	15
S74AH	42	274	98	44	144	558	30,04 €	10
S74AJ	54	324	137	65	165	912	38,05 €	10
S74AK	76,1	200	202	66	66	1.350	92,65 €	5
S74AL	88,9	262	264	80	80	2.110	108,41 €	5
S74AM	108	259	272	95	95	2.622	139,65 €	5

BEND 45° WITH PLAIN ENDS



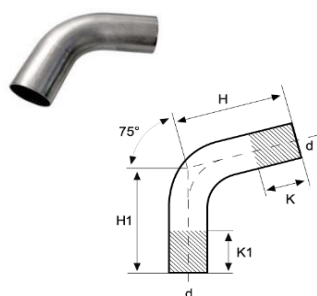
Part. No.	d	H1	H	K	K1	TEŽA/g	PAK.	
S73AC	15	120	62	19	77	62	11,21 €	30
S73AD	18	124	58	16	82	73	11,48 €	30
S73AE	22	120	56	7	71	132	12,28 €	30
S73AF	28	122	58	2	66	160	15,49 €	20
S73AG	35	206	94	20	132	375	22,83 €	15
S73AH	42	262	114	1	149	562	32,31 €	10
S73AJ	54	321	146	37	212	906	40,45 €	10
S73AK	76,1	225	225	69	69	1.618	95,46 €	5
S73AL	88,9	267	267	103	103	2.078	111,34 €	5
S73AM	108	293	293	66	66	2.988	144,99 €	5

IZOGIBNI LOK 60°



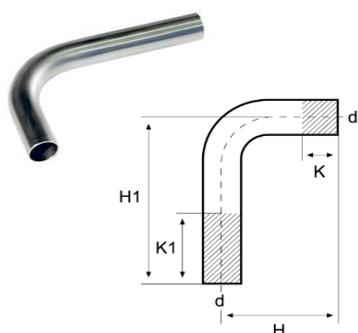
Part. No.	d	H1	H	K	K1	TEŽA/g	PAK.	
S72AC	15	122	60	21	83	60	11,75 €	30
S72AD	18	122	62	16	76	70	12,28 €	30
S72AE	22	118	60	5	63	130	13,08 €	30
S72AF	28	116	71	7	47	178	17,09 €	20
S72AG	35	226	101	30	110	406	24,83 €	15
S72AH	42	251	124	44	145	562	34,44 €	10
S72AJ	54	308	162	65	165	884	42,05 €	10
S72AK	76,1	219	223	70	70	1.476	98,13 €	5
S72AL	88,9	250	257	80	80	1.970	115,48 €	5
S72AM	108	288	298	95	95	2.844	149,93 €	5

IZOGIBNI LOK 75°



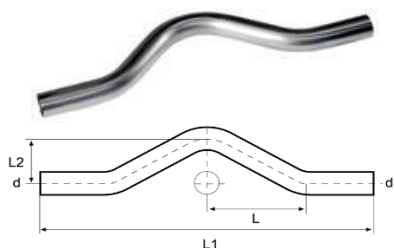
Part. No.	d	H1	H	K	K1	TEŽA/g	PAK.	
S71AC	15	117	66	22	73	58	12,28 €	30
S71AD	18	120	65	17	72	70	13,08 €	30
S71AE	22	118	64	9	63	130	14,42 €	30
S71AF	28	114	71	7	50	186	18,96 €	20
S71AG	35	200	110	26	119	378	25,63 €	15
S71AH	42	251	137	44	158	556	36,71 €	10
S71AJ	54	305	178	60	187	893	44,72 €	10
S71AK	76,1	240	240	62	62	1.556	105,74 €	5
S71AL	88,9	280	280	90	90	2.130	123,89 €	5
S71AM	108	330	330	45	45	3.360	155,40 €	5

IZOGIBNI 90°



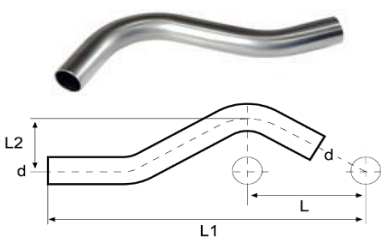
Part. No.	d	H1	H	K	K1	TEŽA/g	PAK.	
S70AB	12	100	50	10	30	68	8,52 €	50
S70AC	15	120	70	22	72	54	7,74 €	40
S70AD	18	120	70	17	67	72	7,88 €	40
S70AE	22	120	70	9	59	128	8,28 €	20
S70AF	28	125	97	7	47	204	10,75 €	20
S70AG	35	200	120	30	110	362	17,89 €	10
S70AH	42	250	160	44	144	568	22,56 €	10
S70AJ	54	305	200	65	165	908	31,97 €	10
S70AK	76,1	250	250	62	62	1.668	97,46 €	5
S70AL	88,9	291	291	90	90	2.022	116,15 €	5
S70AM	108	364	364	45	45	3.200	150,19 €	5

IZOGIBNI LOK DOLGI



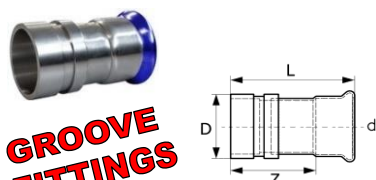
Part. No.	d	L1	L2	L	TEŽA/g	PAK.	
S76AC	15	202	38	65	76	9,75 €	15
S76AD	18	236	43	68	104	10,28 €	15
S76AE	22	233	40	68	202	12,15 €	10
S76AF	28	303	64	93	350	14,69 €	10

IZOGIBNI LOK KRATKI



Part. No.	d	L1	L2	L	TEŽA/g	PAK.	
S77AB	12	150	32	50	59	8,66 €	10
S77AC	15	145	37	57	56	8,98 €	10
S77AD	18	165	38	56	68	9,49 €	10
S77AE	22	181	40	60	150	10,61 €	10
S77AF	28	241	55	83	253	12,97 €	10

PREHODNI KOS ZA VARILNE SPOJE



GROOVE FITTINGS

Part. No.	d - D	L	Z	TEŽA/g	PAK.	
S96EF-LBP	28x33,7	87	63	171	48,68 €	30
S96SG-LBP	35x42,4	95	68	239	61,32 €	20
S96TH-LBP	42x48,3	106	74	298	70,48 €	20
S96VJ-LBP	54x60,3	99	62	397	92,29 €	20
S96KK	76,1x76,1	130	95	986	134,95 €	10
S96LL	88,9x88,9	166	103	1230	210,64 €	10
S96ZM	108x114,4	184	107	1393	237,06 €	10

Kontaktni podatki:

Komerciala:

Uroš Bogatin

GSM: 041/328-231

Mail: uros.bogatin@atermika.si

Branko Damiš

GSM: 031/509-936

Mail: branko.damis@atermika.si

Denis Horvat

GSM: 031/697-005

Mail: denis.horvat@atermika.si

Domen Žunkovič

GSM: 041/350-981

Mail: domen.zunkovic@atermika.si

Robert Horvat

GSM: 041/557-830

Mail: robert.horvat@atermika.si

www.atermika.si

Vse cene so v € in ne vsebujejo DDV. FCO Marjeta.

Za morebitne napake v ceniku ne odgovarjamo.